

# SHIELD+ 1 BOLLARD



Long-lasting energy-efficient wall pack series. Fixtures consist of:

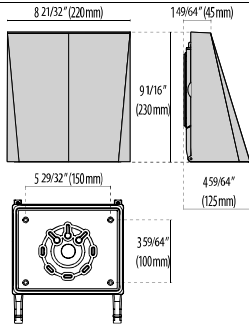
- Multi-step powder-coat painting process, optimized against UV rays and corrosion.
- Copper-free precision die-cast aluminum housing and mounting plate.
- Extra-clear, flat, tempered silk-screened soda-lime glass diffuser.
- Custom molded, anti-aging gasket(s).
- Stainless steel external hardware.
- High-efficiency COB, combined with an optimized passive cooling system, provides a long LED life.
- Specular vacuum metallized polycarbonate reflector provides full-cutoff, no glare design, and precision optical control.
- IESNA Type III light distribution.
- Input voltage: 120-277 V (50 / 60 Hz), integral 1-10 V dimming driver.

- Field settable integral tri-level lumen/wattage packages proprietary DIP switch driver for SHIELD+ 1 (stating factory setting at the lowest level).
- Standard knock-out template for multiple junction box mounting options.
- Suitable for three surface mounted conduit entry points with 1/2" NPS plugs.
- BUTTON and SWIVEL 120-277 V (50 / 60 Hz) photoelectric switch options available (ordered separately).
- Consult factory for dimming options, custom finishes (please specify RAL color), and non-cataloged CCT (Kelvin) options.
- Consult factory for remote emergency battery pack options (EMPK).
- Product meets Buy American Act requirements within ARRA.
- 5-year warranty.
- Marine Grade finish.
- Suitable for Natatorium applications.

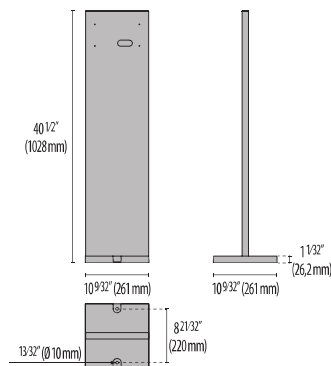


## FINISHES

- AN-96 / Iron gray / Textured
- GR-94 / Aluminum metallic / Textured
- RB-10 / Iron rust / Textured
- WH-87 / White / Textured
- BK-81 / Black / Textured

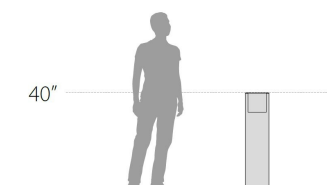


SHIELD+  
1



Scan here  
for installation  
instructions

Lumen Output	27K	3K	35K	4K	5K
SHIELD+1 8W	929	957	984	1012	1039
SHIELD+1 10W	1209	1228	1247	1267	1286
SHIELD+1 13.5W	1448	1556	1664	1773	2516
SHIELD+1 18W	1906	2059	2211	2364	2516
SHIELD+1 27W	2478	2676	2874	3072	3270



REVISION 01  
03/24

# SHIELD+1 BOLLARD

PERFORMANCE  
**IN** LIGHTING

powered by  
**GEWISS**

## Order Guide –

Order code example: SH1BOL-10-80-3K-IG-UNV-NA-EMPK

SH1BOL-

Wattage	Bollard Height	CRI	CCT	Finish	Voltage	Controls	Accessories
8 8 watt	<b>40</b> 40" Bollard (Max)  <b>12</b> 12" Bollard (Min)  <b>XX"</b> Specify Bollard Height 40" Max 12"Min	80 80 CRI*	27K 2700K	AM Aluminum Metallic*	UNV 120-277V*	NA Non-Dim	EMPK Intergral Battery pack**
10 10 watt		90 90 CRI	3K 3000K	IG Iron Gray*		0-10V 0-10V Dim*	OCC Field programmable occupancy sensor hi/lo & on/off
13.5 13.5 watt*		35K 3500K	WH Textured White*	ELV 120V-Line Voltage DIM		REM Remote Battery pack	
14.5 14.5 watt		4K 4000K*	IR Iron Rust*	PHC-B Button Photocell			
18 18.5 watt*		5K 5000K	BK Textured Black	PHC-S Swivel Photocell			
27 27 watt*		65K 6500K	RED Static Red	FRST Frosted Glass			
28 28 watt* (EMPK max)		GRN Static Green					
		BLU Static Blue					
	AMB Static Amber						
	RGBW See below for details						

\*\*EMPK RATED FOR  
90 MIN RUN TIME AT 4W

590lm Output in EM Mode

Ambient EM Temp Range  
Min= 5°C / 41°F  
Max= 35°C / 95°F

\*STANDARD OPTION, SHORTER LEAD TIME, NO MOQ\*

PERFORMANCE IN LIGHTING reserves the right to make all necessary changes without prior notice

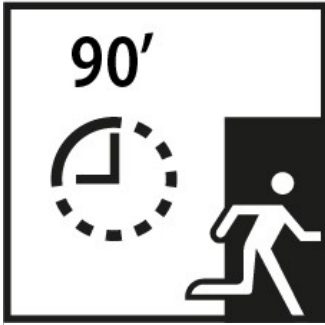
PERFORMANCE IN LIGHTING USA, Inc.  
2621 Keys Pointe Conyers GA 30013 - United States  
Tel: 770 822 2115

info.usa@pil.lighting  
www.performanceinlighting.com/us

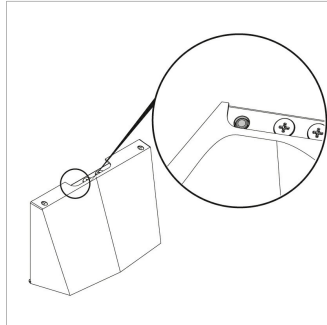
REVISION 01  
03/24

OPTIONAL ACCESSORIES

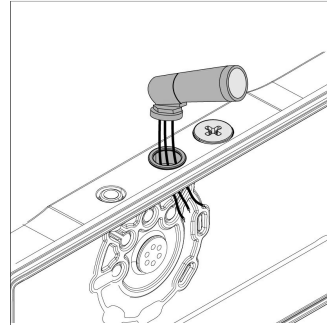
DESCRIPTION	FINISH	PART NUMBER
SHIELD+1		



EMPK



PHC-B



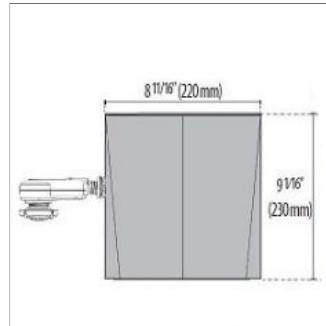
PHC-S



FRST



REM



OCC

# RGBW ACCESSORIES

## Power Supply



17433  
Kit driver 48V



17096  
Kit driver 48V WP

## RF Controls



3104173  
RGBW RF controller 4 channel  
(0.35A each CH)



31041730  
RGBW RF controller WP 4 channel  
(0.35A each CH)



310429  
RGBW hand held remote

## DMX Controls



178973  
RGBW DMX enabler/decoder 4  
channel (0.35A each CH)



1789730  
RGBW DMX enabler/decoder WP 4  
channel (0.35A each CH)